



2024
Ed.1,Co.1,
no. /5



1. Shift

Shift is an exercise in purposeful simplicity. Designed to serve as a seat, side table or surface, it adapts without assertion.

Walnut-veneered plywood is hand-stained to bring depth to an ordinary material. Variations in tone and texture are embraced, reflecting a belief that the marks and irregularities of process are what give an object life.

Exposed stainless hardware remains visible, a clear record of how the piece comes together. Softened ges and a central slit for cables reflect a conviction that utility and quiet expression can coexist.

Shift is made to be lived with, uncomplicated, considered and lasting.

MATERIALS

Plywood veneer substrate, with optional, upholstered cushion pad, made from foam core. Exposed metal screws.

COUNTRY OF ORIGIN

Australia

FABRIC CONSUMPTION

Fabric: 0.25 m Leather: 0.3m2

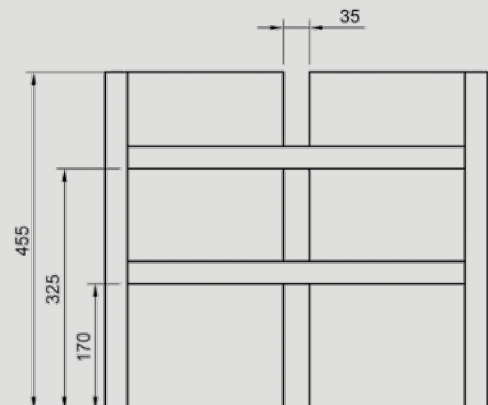
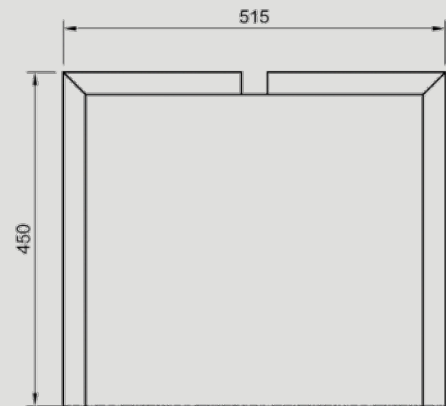
RECOMMENDED UPHOLSTERY

Black Leather with hand-binding

KIEFFER- FORMAFANTASMA, Feral 8. Palmaria

KIEFFER- FORMAFANTASMA, Feral Stripe, 2. Antracite/
Avorio

DIMENSIONS



ed. / col.
ed. 414 col. 414 no. 414
STREIFEN

Streifen, Tel: +614 317 376 43, contact@streifen.co